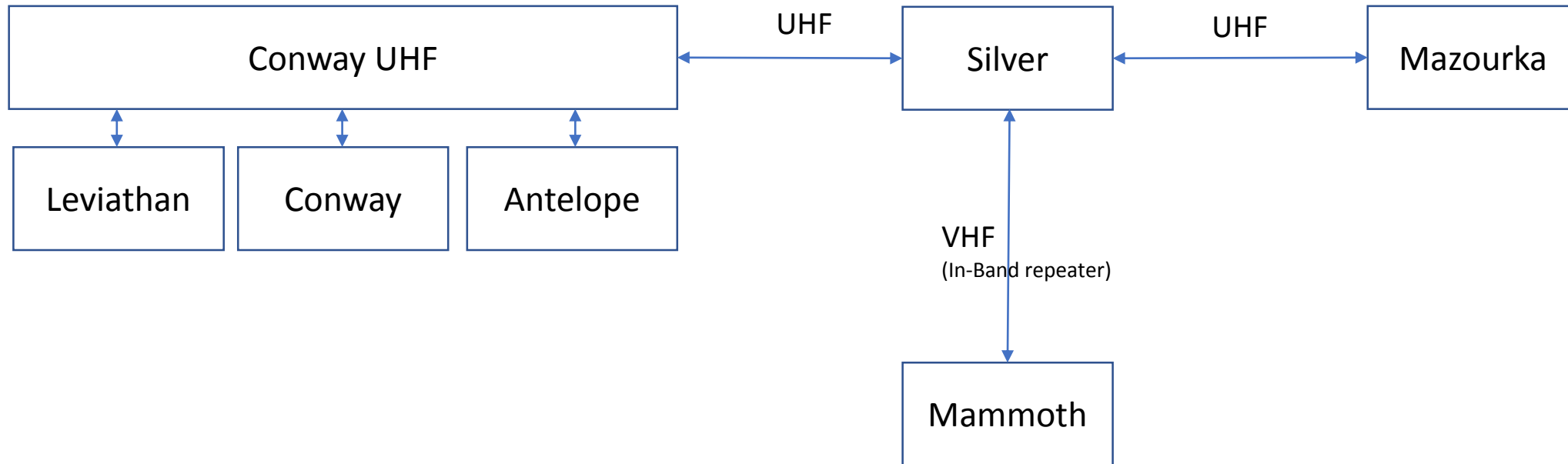
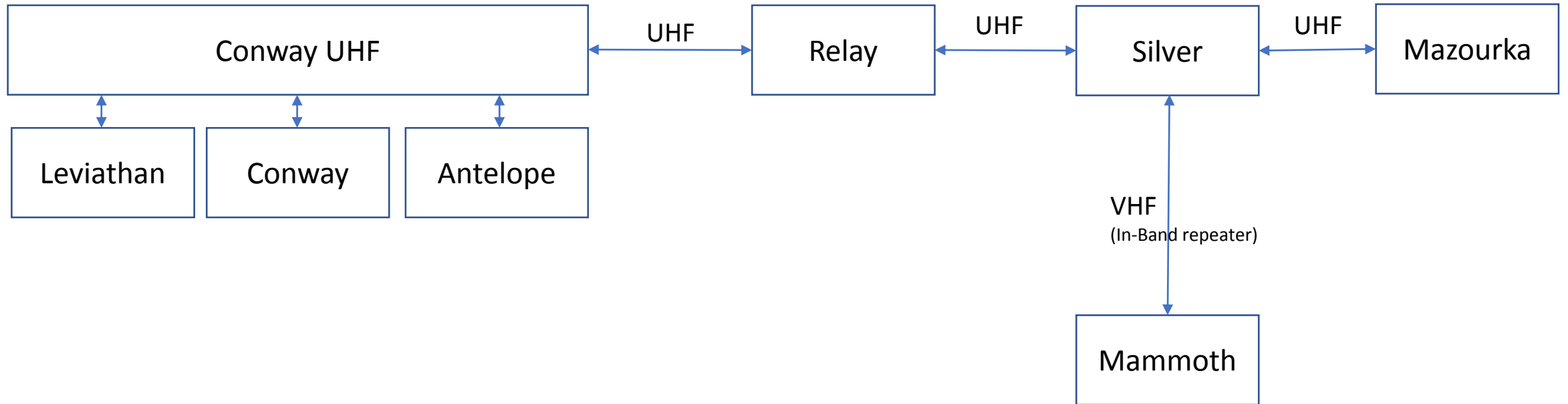


Plan A



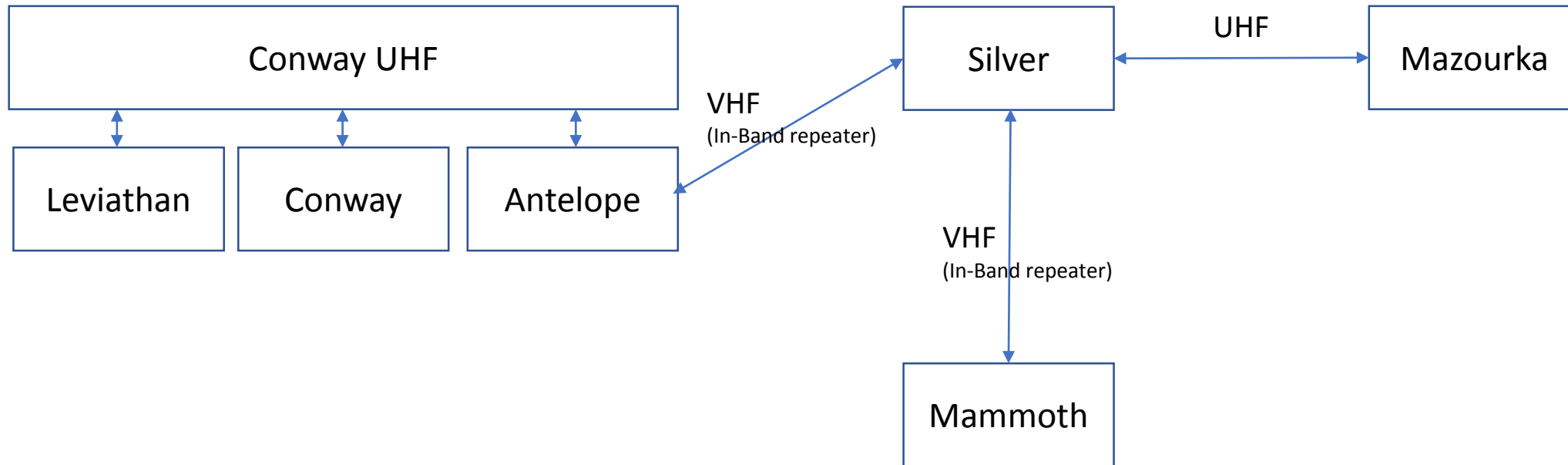
Unable to implement: The UHF link from Silver to Conway was blocked by interference from a local FM broadcast station

Plan B



Unable to implement: Unable to locate an immediately available location for the relay

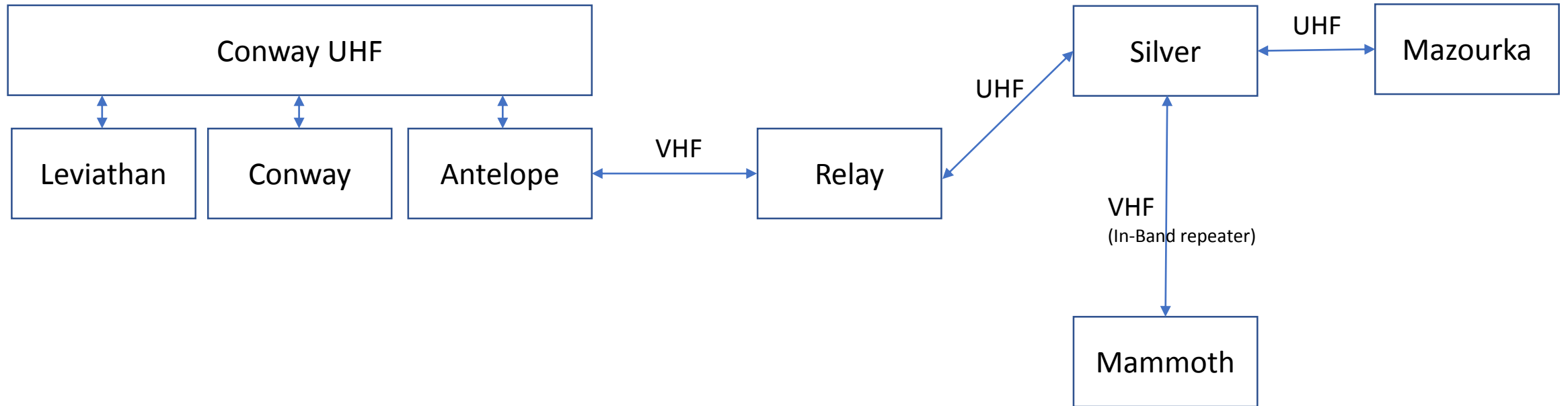
Plan C



Unable to implement: The VHF in-band repeater transmitter frequency for Antelope is too close to the Silver VHF repeater receiver frequency.

NOTE: Only one in-band repeater can be on at a time (link to Mammoth OR Antelope but not both at same time)

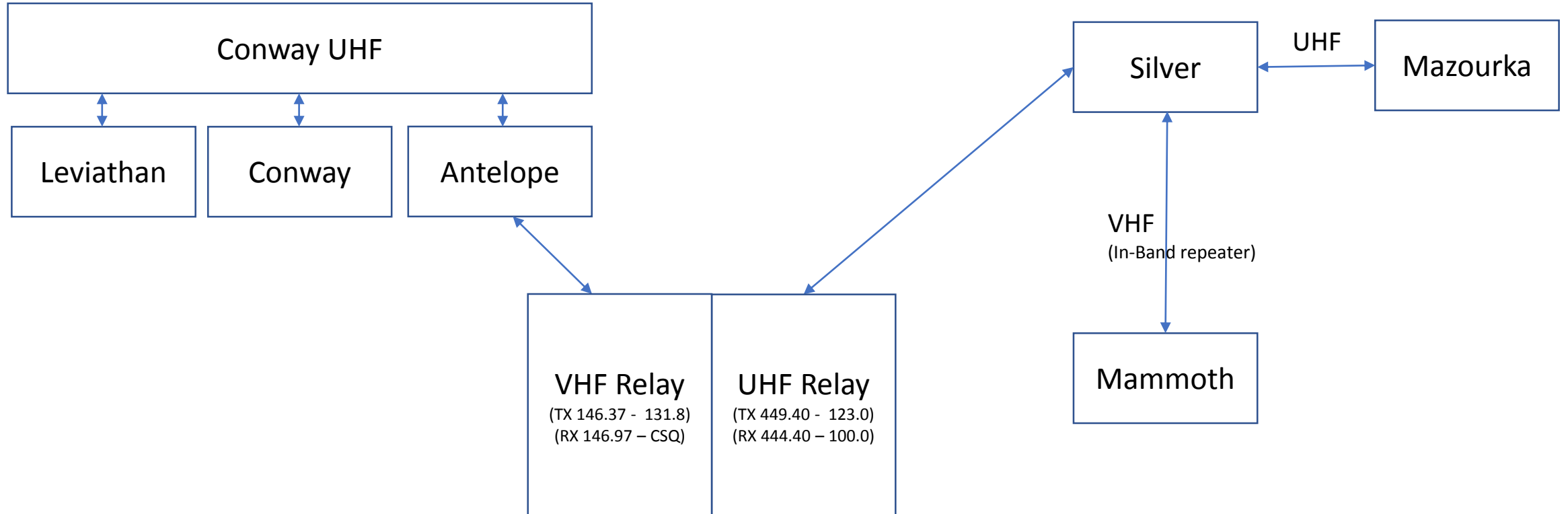
Plan D



Potentially implementable: Need to identify an accessible available location with good RF path to both Antelope and Silver.

NOTE: Only one in-band repeater can be on at a time (link to Mammoth OR Antelope but not both at same time)

Plan D Relay Detail



Potentially implementable: Need to identify an accessible available location with good RF path to both Antelope and Silver.

NOTE: The relay acts like an in-band repeater so the link to Mammoth and Antelope cannot be on at the same time

NOTE: Specific UHF relay frequencies subject to change based on interference or other issues